

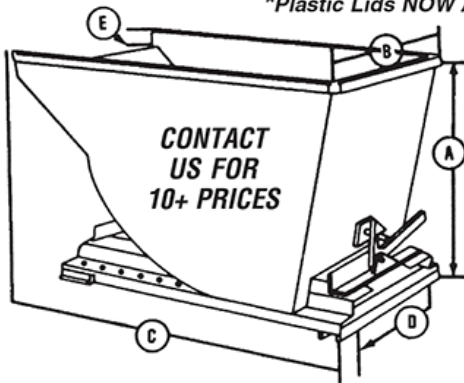
WRIGHT STEEL SELF-DUMPING HOPPERS—BUILT TO YOUR CHOICE OF 3 DUTY RATINGS

EXTRA HEAVY DUTY HOPPERS, SERIES 99
 3/16" THICK HOPPER BODY
 1/4" THICK BASE
 2-1/2" WIDE ROCKERS

HEAVY DUTY HOPPERS, SERIES 77
 3/16" THICK HOPPER BODY
 3/16" THICK BASE
 2-1/2" WIDE ROCKERS

MEDIUM DUTY HOPPERS, SERIES 55
 1/8" THICK HOPPER BODY
 3/16" THICK BASE
 2-1/2" WIDE ROCKERS

Plastic Lids NOW AVAILABLE in These Sizes



STANDARD FEATURES COMMON TO ALL MODELS

1. STACKING LUGS ON 1/4 THRU 1 CU. YD. SIZES TO MAXIMIZE STORAGE. STACK HOPPERS ONLY WHEN EMPTY.
2. STURDY, UNCOMPLICATED LATCHING MECHANISM, INCLUDING A SAFETY LATCH, HAS NO DELICATE PARTS TO MAINTAIN.
3. EXTENDING SIDES ON THE POURING LIP PREVENT SIDEWAYS SCATTERING OF MATERIAL.
4. SMOOTH FORMED EDGE AROUND THE TOP AND POURING LIP ADDS EXTRA STRENGTH AND SAFETY.
5. GRAY FINISH ON ALL SURFACES. (OTHER COLORS AVAILABLE)
6. CONTINUOUS INSIDE WELD ADDS EXTRA STRENGTH AND INHIBITS DRIPPING. (IF YOU NEED LIQUID-TIGHT SPECIFY WHEN ORDERING AND WE'LL "WATER TEST" BEFORE SHIPPING).
7. 90 DAY MANUFACTURER'S WARRANTY

HOPPER ORDER NUMBER	CONTENT CAPACITY	WEIGHT CAPACITY	A OVERALL HEIGHT	B OVERALL WIDTH	C OVERALL LENGTH	D FORK OPENING	E POURING LIP	APPROX. WEIGHT	SPECIAL NET HOPPER PRICE EA.		STEEL OR PLASTIC* LIDS EA.
									1-3	4-9	
2577	1/4 cu yd	4000#	22-1/4	33-3/4	44-3/4	3 by 22-1/2	0	323 lb.	\$678	\$638	\$259
2555	1/4 cu yd	3000#	22-1/4	33-3/4	44-3/4	3 by 22-1/2	0	268 lb.	\$602	\$566	\$259
3399	1/3 cu yd	5000#	32-1/2	31-3/4	52-1/2	3 by 20-1/2	3	435 lb.	\$831	\$783	\$325
3377	1/3 cu yd	4000#	32-1/2	31-3/4	52-1/2	3 by 20-1/2	3	408 lb.	\$754	\$710	\$325
3355	1/3 cu yd	3000#	32-1/2	31-3/4	52-1/2	3 by 20-1/2	3	340 lb.	\$626	\$589	\$325
5099	1/2 cu yd	5000#	32-1/2	37-3/4	52-1/2	3 by 20-1/2	3	489 lb.	\$907	\$854	\$344
5077	1/2 cu yd	4000#	32-1/2	37-3/4	52-1/2	3 by 20-1/2	3	445 lb.	\$824	\$776	\$344
5055	1/2 cu yd	3000#	32-1/2	37-3/4	52-1/2	3 by 20-1/2	3	363 lb.	\$763	\$718	\$344
7599	3/4 cu yd	6000#	36-1/2	39-3/4	58-3/4	3 by 28-1/2	3	547 lb.	\$1014	\$955	\$382*
7577	3/4 cu yd	5000#	36-1/2	39-3/4	58-3/4	3 by 28-1/2	3	524 lb.	\$939	\$884	\$382*
7555	3/4 cu yd	4000#	36-1/2	39-3/4	58-3/4	3 by 28-1/2	3	437 lb.	\$803	\$756	\$382*
10099	1 cu yd	6000#	39-3/4	39-3/4	63-1/2	3 by 28-1/2	3	610 lb.	\$1107	\$1042	\$401*
10077	1 cu yd	6000#	39-3/4	39-3/4	63-1/2	3 by 28-1/2	3	584 lb.	\$1032	\$972	\$401*
10055	1 cu yd	4000#	39-3/4	39-3/4	63-1/2	3 by 28-1/2	3	461 lb.	\$898	\$845	\$401*
15099	1-1/2 cu yd	6000#	39-3/4	57-3/4	63-1/2	3 by 28-1/2	3	733 lb.	\$1317	\$1240	\$554*
15077	1-1/2 cu yd	6000#	39-3/4	57-3/4	63-1/2	3 by 28-1/2	3	700 lb.	\$1241	\$1168	\$554*
15055	1-1/2 cu yd	4000#	39-3/4	57-3/4	63-1/2	3 by 28-1/2	3	540 lb.	\$1017	\$957	\$554*
20099	2 cu yd	6000#	46	57-3/4	64	3 by 28-1/2	11-1/2	790 lb.	\$1480	\$1393	\$640*
20077	2 cu yd	6000#	46	57-3/4	64	3 by 28-1/2	11-1/2	756 lb.	\$1408	\$1326	\$640*
20055	2 cu yd	4000#	46	57-3/4	64	3 by 28-1/2	11-1/2	584 lb.	\$1140	\$1073	\$640*
25099	2-1/2 cu yd	6000#	55	46-3/4	70-1/2	3 by 28-1/2	20	855 lb.	\$1624	\$1528	\$507
26099	2-1/2 cu yd	6000#	46	69-3/4	64	3 by 28-1/2	11-1/2	926 lb.	\$1624	\$1528	\$717
26077	2-1/2 cu yd	5000#	46	69-3/4	64	3 by 28-1/2	11-1/2	838 lb.	\$1468	\$1382	\$717
26055	2-1/2 cu yd	4000#	46	69-3/4	64	3 by 28-1/2	11-1/2	700 lb.	\$1252	\$1179	\$717
30099	3 cu yd	6000#	55	57-3/4	70-1/2	3 by 28-1/2	20	960 lb.	\$1785	\$1680	\$668*
30077	3 cu yd	5000#	55	57-3/4	70-1/2	3 by 28-1/2	20	931 lb.	\$1624	\$1528	\$668*
30055	3 cu yd	4000#	55	57-3/4	70-1/2	3 by 28-1/2	20	704 lb.	\$1369	\$1288	\$668*
40099	4 cu yd	6000#	55	79-3/4	70-1/2	3 by 42-1/2	20	1210 lb.	\$2212	\$2082	\$878
50099	5 cu yd	6000#	55	99-3/4	70-1/2	3 by 42-1/2	20	1340 lb.	\$2590	\$2438	\$956
60099	6 cu yd	6000#	55	119-3/4	70-1/2	3 by 42-1/2	20	1475 lb.	\$2955	\$2781	N/A

FOB KENTON, OHIO 43326. FREIGHT CLASSIFICATION, ITEM #99950
 CALL FOR STAINLESS PRICES, SPECIAL DISCOUNT FREIGHT RATES AND PARTS
 SPECIAL WIDTHS ARE AVAILABLE IF NECESSARY. — All sizes

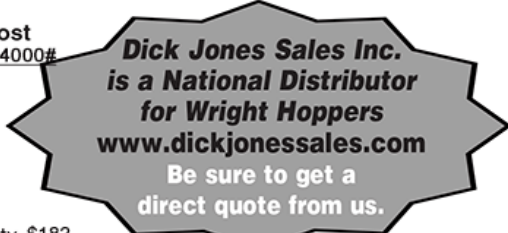
NOTE: All dimensions are approximate and may vary slightly – if any are critical, you must specify. Inside hopper width approx. 3-1/2" from Dim. B. Steel Lids are 11 GA

Optional Features: Must Be Specified/Add to cost

- A. Lift Lugs For Crane Handling—\$172 Capacity only 4000#
- B. 3 Way Entry Base (Note—Adds 3" To Overall Height)—Add \$182
- C. Chain Latch Release For Overhead Dumping—Add \$76
- D. Legs On Base (Specify Underclearance)—\$125
- E. Stainless Steel—Call
- F. Special Design Requirements—Call
- G. Safety Chain—FREE
- H. Stacking Lugs For 1/2 Cu. Yd. Up—Stack Only Empty—\$182

Optional Paint Colors If Other Than Standard Gray/Add to cost of hopper

- 1/4 Thru 3/4 Cu. Yd.—Add \$19 Lids other than Gray
 - 1 Thru 2 1/2 Cu. Yd.—Add \$25 paint add \$40
 - 3 thru 5 Cu. Yd.—Add \$35
- Yellow, Orange, Blue, Red and Black are in stock.



See Our Website For Open-Ended & Low-Profile Styles

Optional Casters/Add to Cost

(Priced Per Set of 4)

2 Swivels And 2 Rigid

#8802	8" Steel	\$313.00
#8806	8" Polyurethane	\$435.00
#6602	6" Steel	\$243.00
#6606	6" Polyurethane	\$382.00
#4402	4" Steel	\$208.00
#4406	4" Polyurethane	\$286.00

Caster capacity per set 4" - 2800 lbs.

6"+8" - 4400 lbs. However, the Hopper itself retains its own weight capacity.

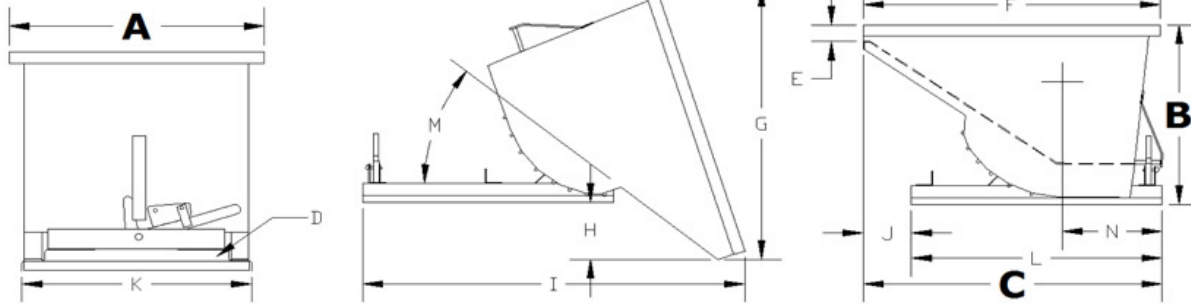
OTHER TYPES OF CASTERS AVAILABLE
 FOR OVERALL HEIGHT WITH CASTERS, ADD 5" FOR 4" CASTERS, 7" FOR 6" CASTERS AND 9" FOR 8" CASTERS.

PLEASE ORDER FROM DICK JONES SALES, INC. 258 BALTIMORE ST., P.O. BOX 141, HANOVER, PA 17331

E-MAIL: dickjones@dickjonessales.com CALL TOLL FREE (800) 441-9955 FAX (800) 253-4036 VISA/MASTERCARD/AMERICAN EXPRESS ACCEPTED

GEN II McCullough Industries Inc.

Kenton, Ohio



GEN II WRIGHT SELF-DUMPING HOPPER BASIC DIMENSIONS

CAPACITY	PART NUMBER	OVER ALL WIDTH * (A)	OVER ALL HEIGHT (B)	OVER ALL LENGTH (C)	FORK OPENING (D)	POURING LIP (E)	CONTAINER LENGTH (F)	DUMP CLEARANCE HEIGHT (G)	DUMP CLEARANCE BOTTOM (H)	DUMP CLEARANCE LENGTH (I)	FRONT CLEARANCE (J)	BASE WIDTH (K)	BASE LENGTH (L)	DUMP ANGLE (M)	CENTER OF GRAVITY (N)	APPROX WEIGHT
1/4 cu yd	2555	33 3/4"	22 1/4"	44 3/4"	3" by 22 1/2"	0"	41 3/4"	40"	2 1/2"	49 3/4"	4 3/4"	30 1/2"	40"	40°	19 3/4"	285 lb.
1/4 cu yd	2577	33 3/4"	22 1/4"	44 3/4"	3" by 22 1/2"	0"	41 3/4"	40"	2 1/2"	49 3/4"	4 3/4"	30 1/2"	40"	40°	19 3/4"	300 lb.
1/3 cu yd	3355	31 3/4"	32 1/2"	52 1/2"	3" by 20 1/2"	3"	51 1/4"	49 1/2"	3 1/2"	66"	2 1/2"	28 1/2"	50"	38°	22 3/4"	340 lb.
1/3 cu yd	3377	31 3/4"	32 1/2"	52 1/2"	3" by 20 1/2"	3"	51 1/4"	49 1/2"	3 1/2"	66"	2 1/2"	28 1/2"	50"	38°	22 3/4"	370 lb.
1/3 cu yd	3399	31 3/4"	32 1/2"	52 1/2"	3" by 20 1/2"	3"	51 1/4"	49 1/2"	3 1/2"	66"	2 1/2"	28 1/2"	50"	38°	22 3/4"	410 lb.
1/2 cu yd	5055	37 3/4"	32 1/2"	52 1/2"	3" by 20 1/2"	3"	51 1/4"	49 1/2"	3 1/2"	66"	2 1/2"	28 1/2"	50"	38°	22 3/4"	375 lb.
1/2 cu yd	5077	37 3/4"	32 1/2"	52 1/2"	3" by 20 1/2"	3"	51 1/4"	49 1/2"	3 1/2"	66"	2 1/2"	28 1/2"	50"	38°	22 3/4"	405 lb.
1/2 cu yd	5099	37 3/4"	32 1/2"	52 1/2"	3" by 20 1/2"	3"	51 1/4"	49 1/2"	3 1/2"	66"	2 1/2"	28 1/2"	50"	38°	22 3/4"	445 lb.
3/4 cu yd	7555	39 3/4"	36 1/2"	58 3/4"	3" by 28 1/2"	3"	58"	57"	9"	71 3/4"	8 3/4"	36 1/2"	50"	39°	24 1/2"	437 lb.
3/4 cu yd	7577	39 3/4"	36 1/2"	58 3/4"	3" by 28 1/2"	3"	58"	57"	9"	71 3/4"	8 3/4"	36 1/2"	50"	39°	24 1/2"	511 lb.
3/4 cu yd	7599	39 3/4"	36 1/2"	58 3/4"	3" by 28 1/2"	3"	58"	57"	9"	71 3/4"	8 3/4"	36 1/2"	50"	39°	24 1/2"	551 lb.
1 cu yd	10055	39 3/4"	39 3/4"	63 1/2"	3" by 28 1/2"	3"	63 1/2"	60 3/4"	7"	78 3/4"	9 1/2"	36 1/2"	54"	31°	25 1/2"	487 lb.
1 cu yd	10077	39 3/4"	39 3/4"	63 1/2"	3" by 28 1/2"	3"	63 1/2"	60 3/4"	7"	78 3/4"	9 1/2"	36 1/2"	54"	31°	25 1/2"	562 lb.
1 cu yd	10099	39 3/4"	39 3/4"	63 1/2"	3" by 28 1/2"	3"	63 1/2"	60 3/4"	7"	78 3/4"	9 1/2"	36 1/2"	54"	31°	25 1/2"	602 lb.
1 1/2 cu yd	15055	57 3/4"	39 3/4"	63 1/2"	3" by 28 1/2"	3"	63 1/2"	60 3/4"	7"	78 3/4"	9 1/2"	36 1/2"	54"	31°	25 1/2"	553 lb.
1 1/2 cu yd	15077	57 3/4"	39 3/4"	63 1/2"	3" by 28 1/2"	3"	63 1/2"	60 3/4"	7"	78 3/4"	9 1/2"	36 1/2"	54"	31°	25 1/2"	675 lb.
1 1/2 cu yd	15099	57 3/4"	39 3/4"	63 1/2"	3" by 28 1/2"	3"	63 1/2"	60 3/4"	7"	78 3/4"	9 1/2"	36 1/2"	54"	31°	25 1/2"	715 lb.
2 cu yd	20055	57 3/4"	46"	64"	3" by 28 1/2"	11 1/2"	64 1/4"	64 1/4"	9 3/4"	83 3/4"	9 3/4"	36 1/2"	54"	38°	28 1/4"	620 lb.
2 cu yd	20077	57 3/4"	46"	64"	3" by 28 1/2"	11 1/2"	64 1/4"	64 1/4"	9 3/4"	83 3/4"	9 3/4"	36 1/2"	54"	38°	28 1/4"	765 lb.
2 cu yd	20099	57 3/4"	46"	64"	3" by 28 1/2"	11 1/2"	64 1/4"	64 1/4"	9 3/4"	83 3/4"	9 3/4"	36 1/2"	54"	38°	28 1/4"	805 lb.
2 1/2 (w) cu yd	26055	69 3/4"	46"	64"	3" by 28 1/2"	11 1/2"	64 1/4"	64 1/4"	9 3/4"	83 3/4"	9 3/4"	36 1/2"	54"	38°	28 1/4"	700 lb.
2 1/2 (w) cu yd	26077	69 3/4"	46"	64"	3" by 28 1/2"	11 1/2"	64 1/4"	64 1/4"	9 3/4"	83 3/4"	9 3/4"	36 1/2"	54"	38°	28 1/4"	820 lb.
2 1/2 (w) cu yd	26099	69 3/4"	46"	64"	3" by 28 1/2"	11 1/2"	64 1/4"	64 1/4"	9 3/4"	83 3/4"	9 3/4"	36 1/2"	54"	38°	28 1/4"	926 lb.
2 1/2 (n) cu yd	25099	46 3/4"	55"	70 1/2"	3" by 28 1/2"	20"	70 1/2"	73"	10"	93 3/4"	15"	36 1/2"	54"	32°	30 1/2"	860 lb.
3 cu yd	30055	57 3/4"	55"	70 1/2"	3" by 28 1/2"	20"	70 1/2"	73"	10"	93 3/4"	15"	36 1/2"	54"	32°	30 1/2"	780 lb.
3 cu yd	30077	57 3/4"	55"	70 1/2"	3" by 28 1/2"	20"	70 1/2"	73"	10"	93 3/4"	15"	36 1/2"	54"	32°	30 1/2"	875 lb.
3 cu yd	30099	57 3/4"	55"	70 1/2"	3" by 28 1/2"	20"	70 1/2"	73"	10"	93 3/4"	15"	36 1/2"	54"	32°	30 1/2"	971 lb.
4 cu yd	40099	79 3/4"	55"	70 1/2"	3" by 42 1/2"	20"	70 1/2"	73"	10"	93 3/4"	15"	36 1/2"	54"	32°	30 1/2"	1203 lb.
5 cu yd	50099	99 3/4"	55"	70 1/2"	3" by 42 1/2"	20"	70 1/2"	73"	10"	93 3/4"	15"	36 1/2"	54"	32°	30 1/2"	1410 lb.
6 cu yd	60099	119 3/4"	55"	70 1/2"	3" by 42 1/2"	20"	70 1/2"	73"	10"	93 3/4"	15"	36 1/2"	54"	32°	30 1/2"	1635 lb.

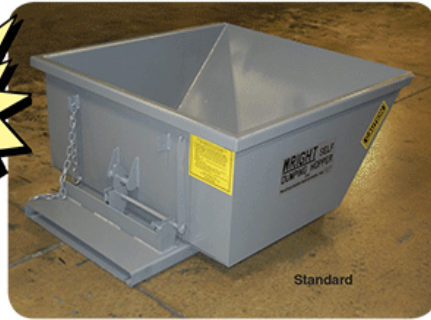
Note: All dimensions are approximate some dimensions may vary slightly per hopper.

* For inside container width subtract approximately 3 3/4" from dimension (A)

Low Profile Self-Dumping Hoppers

Please order from National Distributor Dick Jones Sales, Inc., P.O. Box 141, Hanover, PA 17331-0141
 EMAIL: DICKJONES@DICKJONESSALES.COM, CALL 800-441-9955, FAX: 800-253-4036,
 Visit Our Website: www.dickjonessales.com • We have a lot more to offer

We offer thousands of products from the best manufacturers at the best prices. Let us help - Let us quote.



We also offer powered box and drum dumpers - standards and specials.

Low Profile Self-Dumping Hoppers

Item #	Capacity	Overall Width	Overall Height	Overall Length	Weight Capacity	Approx. Weight	Price Each		
							1 to 3	4 to 9	10+
2555LP	1/4 yd ³	31 in	17"	43"	4000 lb	193 lb	\$559.00	\$524.00	C A L L
3355LP	1/3 yd ³	41 in	17"	43"	4000 lb	238 lb	\$667.00	\$625.00	
5055LP	1/2 yd ³	62 in	17"	43"	4000 lb	287 lb	\$730.00	\$684.00	
7577LP	3/4 yd ³	48 1/2 in	24"	55 3/4"	5000 lb	429 lb	\$1023.00	\$959.00	
10077LP	1 yd ³	63 1/2 in	24"	55 3/4"	5000 lb	493 lb	\$1052.00	\$986.00	
15077LP	1-1/2 yd ³	62 in	24"	75"	4000 lb	679 lb	\$1344.00	\$1260.00	

- Optional Casters**
- 8" Steel \$313.00
 - 8" Polyurethane \$435.00
 - 6" Steel \$243.00
 - 6" Polyurethane \$382.00
 - 4" Steel \$208.00
 - 4" Polyurethane \$288.00

Prices per set of 2 swivel and 2 rigid or 4 swivel (Specify)

Special Low Profile Only mounting brackets for ALL of our caster sizes adds only 1" to overall hopper height regardless of wheel diameter. 18" or 25" OAH

Optional Pull Chain for Latch Release IF DUMPING OVERHEAD, specify and add \$76.00.

Series 55 is 1/8" Steel Hopper with 3/16" Steel Base

Series 77 is 3/16" Steel Hopper with 3/16" Steel Base

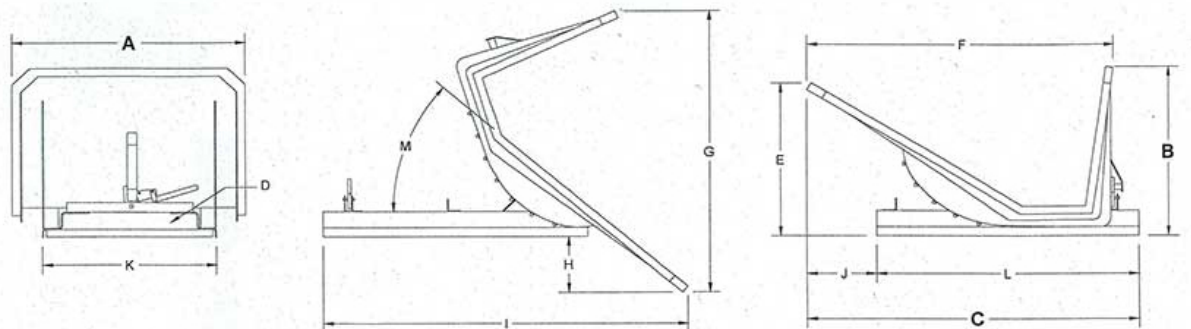
All dimensions are approximate and may vary slightly - IF ANY ARE CRITICAL, YOU MUST SPECIFY. 3/4 cu. yd., 1 cu. yd., and 1-1/2 cu. yd. have a rolled edge on both sides and back

These Low Profile Self-Dumping Hoppers are balanced to tilt 90° to dump the load and then return to its upright, locked position when the hopper is lowered to the ground. All units are continuously welded for strength but if you want "Liquid Tight", specify and we'll "Water-test" at no extra charge. All hoppers are equipped with a base-to-forklift safety chain and a positive latch. A gray finish is standard and other colors are available at a slight extra charge (see our standard hopper page). Stainless Steel also available – Let Us Quote. Casters available on the Low Profile Hopper.

Photo shows our new heavy-duty black plastic lid which is available for our 3/4, 1, 1-1/2, 2 and 3 cubic yard hoppers. This lid offers an alternative of lighter lifting weight



For handling long loads - lumber, pipe, etc. Dick Jones Sales offers OPEN-SIDED 1 1/2 cubic yard capacity Self-Dumping Hoppers of 3/16" steel (7ga.) all with 6000 lbs. capacity, 68" overall length and a CHOICE of 48", 60" and 72" widths. All models feature a 41° dump angle and a 3" fork opening. Safety chain included. Please contact us with any questions or concerns.



OPEN SIDED SELF-DUMPING HOPPER BASIC DIMENSIONS

PART NUMBER	OVER ALL WIDTH	OVER ALL HEIGHT	OVER ALL LENGTH	FORK OPENING	FRONT HEIGHT	CONTAINER LENGTH	DUMP CLEARANCE HEIGHT	DUMP CLEARANCE BOTTOM	DUMP CLEARANCE LENGTH	FRONT CLEARANCE	BASE WIDTH	BASE LENGTH	DUMP ANGLE	WEIGHT CAPACITY	APPROX WEIGHT	PRICE
	(A)	(B)	(C)	(D)	(E)	(F)	(G)	(H)	(I)	(J)	(K)	(L)	(M)			
15099-48 OS	48"	37"	68"	3" by 28"	33"	63"	62"	12"	74"	14"	36"	54"	41°	6000 lb.	610 lb	\$1133.00
15099-60 OS	60"	37"	68"	3" by 28"	33"	63"	62"	12"	74"	14"	36"	54"	41°	6000 lb.	644 lb	\$1254.00
15099-72 OS	72"	37"	68"	3" by 42"	33"	63"	62"	12"	74"	14"	50"	54"	41°	6000 lb.	704 lb	\$1431.00

Part Number ___99-__OS Series "99" 3/16" Steel (7 Gauge) Hopper with 1/4" Steel Base

Note: All dimensions are approximate some dimensions may vary slightly per hopper.

Standard color gray – other colors available



» STANDARD SELF-DUMPING HOPPERS

» OPEN SIDED SELF-DUMPING HOPPERS

» LOW PROFILE DUMPING HOPPERS

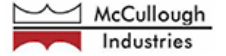
» HOPPER ACCESSORIES

WRIGHT™

Bump-Release Hoppers

- ✓ Safely and efficiently moves and stores materials.
- ✓ Dumps on contact with roll-off container.
- ✓ Automatically returns to upright position after unloading.

Proudly manufactured in America since 1965.



CAPACITY	PART NUMBER	OVERALL WIDTH	OVERALL HEIGHT	OVERALL LENGTH	FORK OPENING	POUR LIP	CONTAINER LENGTH	DUMP CLEARANCE HEIGHT	DUMP CLEARANCE BOTTOM	DUMP CLEARANCE LENGTH	FRONT CLEARANCE	BASE WIDTH	BASE LENGTH	DUMP ANGLE	APPROX. WEIGHT	PRICE
1/3 CU YD	3355BR	31.75"	32.5"	56.5"	3" BY 20.5"	3"	51.25"	49.5"	3.5"	66"	2.5"	28.5"	54"	38°	376 LB	\$902
1/3 CU YD	3377BR	31.75"	32.5"	56.5"	3" BY 20.5"	3"	51.25"	49.5"	3.5"	66"	2.5"	28.5"	54"	38°	445 LB	\$990
1/3 CU YD	3399BR	31.75"	32.5"	56.5"	3" BY 20.5"	3"	51.25"	49.5"	3.5"	66"	2.5"	28.5"	54"	38°	475 LB	\$1056
1/2 CU YD	5055BR	31.75"	32.5"	56.5"	3" BY 26.5"	3"	51.25"	49.5"	3.5"	66"	2.5"	28.5"	54"	38°	398 LB	\$956
1/2 CU YD	5077BR	31.75"	32.5"	56.5"	3" BY 26.5"	3"	51.25"	49.5"	3.5"	66"	2.5"	28.5"	54"	38°	480 LB	\$950
1/2 CU YD	5099BR	31.75"	32.5"	56.5"	3" BY 26.5"	3"	51.25"	49.5"	3.5"	66"	2.5"	28.5"	54"	38°	520 LB	\$1062
3/4 CU YD	7555BR	39.75"	36.5"	62.75"	3" BY 28.5"	3"	58"	58"	9"	71.75"	8.75"	36.5"	54"	39°	472 LB	\$1150
3/4 CU YD	7577BR	39.75"	36.5"	62.75"	3" BY 28.5"	3"	58"	58"	9"	71.75"	8.75"	36.5"	54"	39°	559 LB	\$1242
3/4 CU YD	7599BR	39.75"	36.5"	62.75"	3" BY 28.5"	3"	58"	58"	9"	71.75"	8.75"	36.5"	54"	39°	590 LB	\$1312
1 CU YD	10055BR	39.75"	39.75"	67.5"	3" BY 28.5"	3"	63.5"	60.75"	7"	78.75"	9.5"	36.5"	58"	31°	496 LB	\$1124
1 CU YD	10077BR	39.75"	39.75"	67.5"	3" BY 28.5"	3"	63.5"	60.75"	7"	78.75"	9.5"	36.5"	58"	31°	619 LB	\$1401
1 CU YD	10099BR	39.75"	39.75"	67.5"	3" BY 28.5"	3"	63.5"	60.75"	7"	78.75"	9.5"	36.5"	58"	31°	650 LB	\$1472
1 1/2 CU YD	15055BR	57.75"	39.75"	67.5"	3" BY 28.5"	3"	63.5"	60.75"	7"	78.75"	9.5"	36.5"	58"	31°	575 LB	\$1305
1 1/2 CU YD	15077BR	57.75"	39.75"	67.5"	3" BY 28.5"	3"	63.5"	60.75"	7"	78.75"	9.5"	36.5"	58"	31°	735 LB	\$1665
1 1/2 CU YD	15099BR	57.75"	39.75"	67.5"	3" BY 28.5"	3"	63.5"	60.75"	7"	78.75"	9.5"	36.5"	58"	31°	773 LB	\$1926
2 CU YD	20055BR	57.75"	46"	68"	3" BY 28.5"	11.5"	64.25"	64.25"	9.75"	83.75"	9.75"	36.5"	58"	38°	619 LB	\$1402
2 CU YD	20077BR	57.75"	46"	68"	3" BY 28.5"	11.5"	64.25"	64.25"	9.75"	83.75"	9.75"	36.5"	58"	38°	791 LB	\$1793
2 CU YD	20099BR	57.75"	46"	68"	3" BY 28.5"	11.5"	64.25"	64.25"	9.75"	83.75"	9.75"	36.5"	58"	38°	830 LB	\$1882

The WRIGHT™ one!